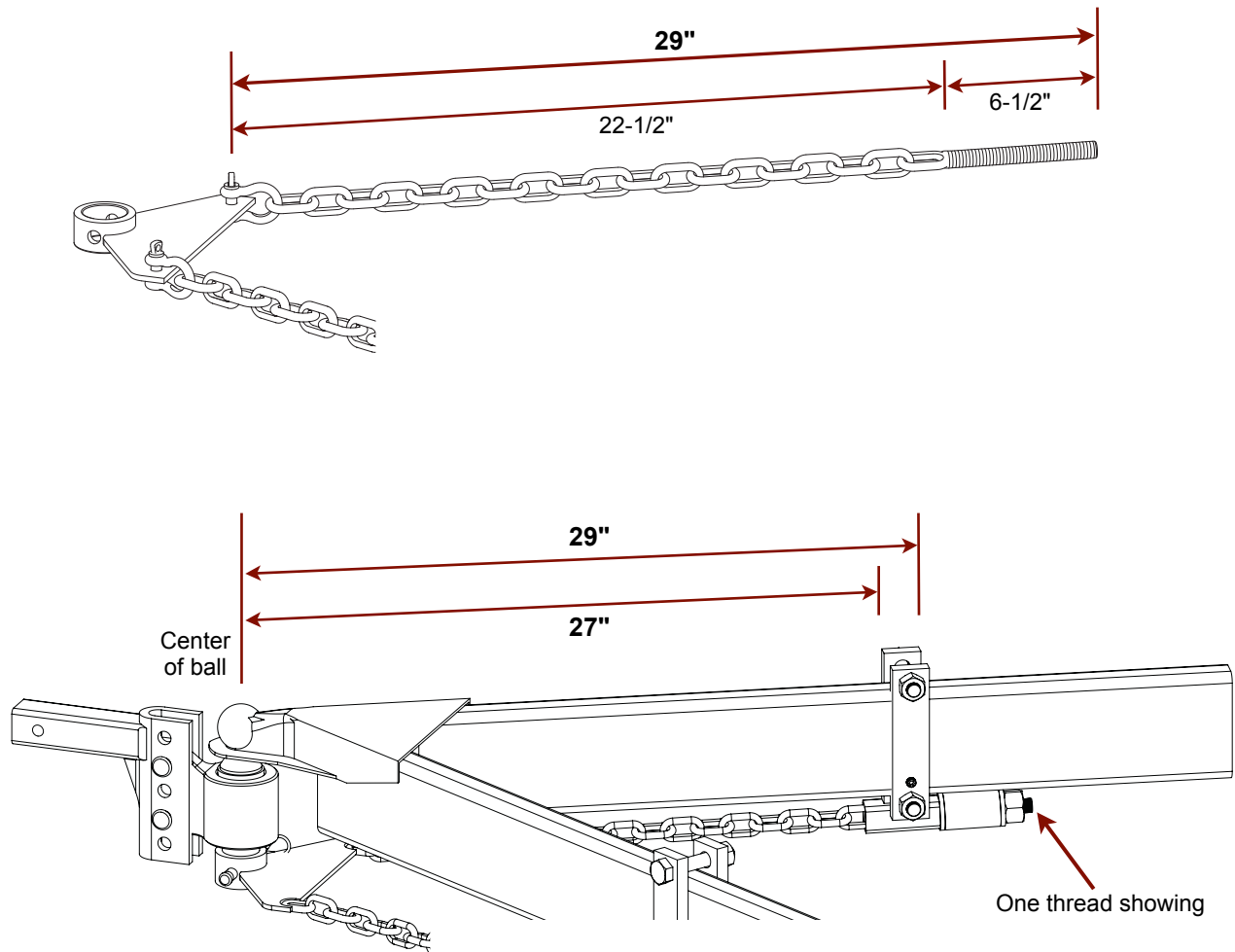


WD Hitch Chain Measurements



If you measure our stock WD Hitch with one thread showing at the end of the tension nut, you will find that the 2" wide frame bracket touches the frame at the 27" to 29" mark (inside edge of bracket to outside edge) on the trailer frame. You can add or shorten the length of the chains several inches with no adverse effect.